

Coupling device AGH150xx



Coupling device AGH150xx



Product description

The AGH150W or AGH150W-4 coupling device is designed to extend the nominal voltage range of the ISOMETER® iso685 series. The coupling device is connected to the system being monitored by two poles and connected to the terminal AK resp. L1/L2/L3 of the ISOMETER® by means of the terminal AKxxx.

Standards

The AGH150W(-4) complies with the requirements of

- DIN EN 45545-2.

Approvals



AGH150W-4

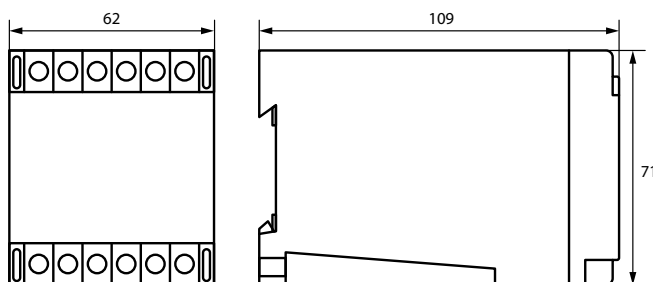


Ordering information

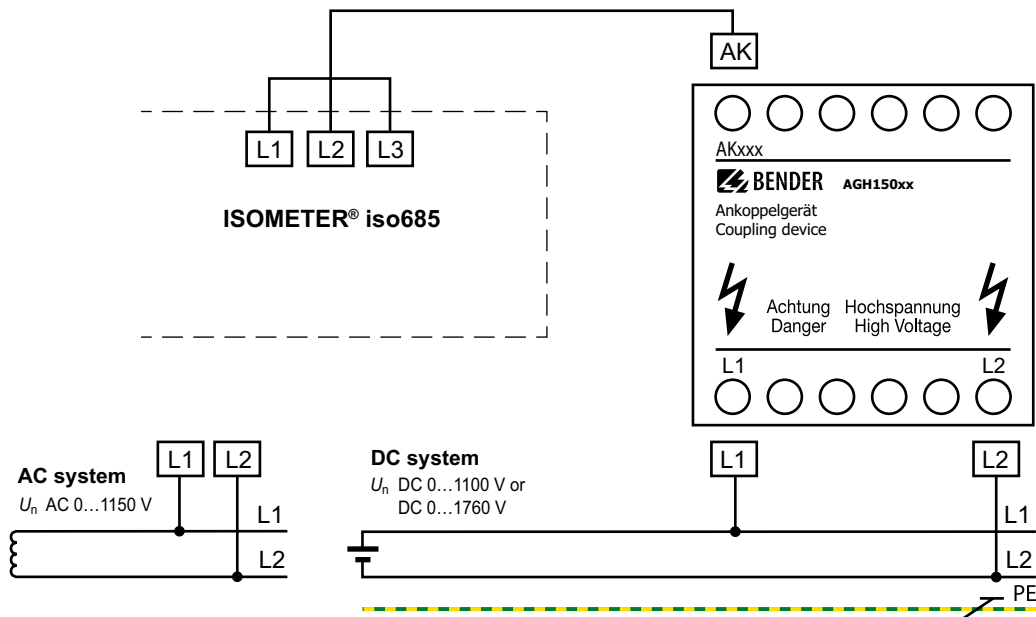
Nominal system voltage U_n		Type	Art. No.
AC	DC		
0...1150 V	0...1100 V	AGH150W	B915576
	0...1760 V	AGH150W-4	B98018006

Dimension diagram X150

Dimensions in mm



Wiring diagram



Technical data

Insulation coordination acc. to DIN EN 61800-5-1 (VDE 0160-105-1)

AGH150W	
Rated insulation voltage	AC 1000 V
Voltage test acc. to IEC 60255	12 kV

AGH150W-4	
Rated insulation voltage	AC 1600 V
Voltage test acc. to IEC 60255	17 kV

Voltage test acc. to DIN EN 61800-5-1 (VDE 0160-105-1)

AGH150W	
Voltage impulse test (basic insulation)	\geq AC 8 kV
AC voltage test (basic insulation)	\geq AC 4.3 kV

AGH150W-4	
Voltage impulse test (basic insulation)	\geq AC 11 kV
AC voltage test (basic insulation)	\geq AC 6.6 kV

Voltage ranges

AGH150W	
Nominal system voltage U_n	AC 0...1150 V, DC 0...1100 V
Frequency range of U_n (sinus)	DC 1...460 Hz
Overvoltage category	CAT III
Rated impulse voltage	\geq 8 kV
Internal DC resistance R_i	\geq 80 k Ω
Tolerance of internal DC resistance R_i	\pm 2 k Ω *

AGH150W-4	
Nominal system voltage U_n	AC 0...1150 V, DC 0...1760 V DC 0...1600 V (for UL applications)
Frequency range of U_n (sinus)	DC 1...460 Hz
Overvoltage category	CAT III
Rated impulse voltage	\geq 11 kV
Internal DC resistance R_i	\geq 160 k Ω
Tolerance of internal DC resistance R_i	\pm 4 k Ω *

Ambient temperature

Operation	-10...+55 °C
Storage	-40...+70 °C
Climatic class acc. to DIN IEC 60721-3-3	3K23 (except condensation and formation of ice)

Connection

Connection	flat terminals
Connection properties rigid/flexible	0.2...4/0.2...2.5 mm ²

Other

Operating mode	continuous operation
Mounting	any position
Degree of protection, internal components (DIN EN 60529)	IP30
Degree of protection, terminals (DIN EN 60529)	IP20
DIN rail mounting acc. to	IEC 60715
Flammability class	UL94 V-0
Weight	\leq 900 g

* The tolerance range affects the measured value of the insulation monitoring device used and must be taken into account accordingly



Bender GmbH & Co. KG

Londorfer Straße 65 • 35305 Grünberg • Germany
Tel.: +49 6401 807-0 • info@bender.de • www.bender.de



BENDER Group