

ATICS® , the safest and most compact all-in-one automatic transfer switching device in the world

for safety-relevant and medical locations



ATICS® offers unbeatable advantages

Safe

Functional safety SIL2 according to IEC 61508
guarantees protection against malfunction hazards

Constant self-monitoring
of electronic system and circuit paths with automatic notification

Preventive safety
by automatic reminders for prescribed tests

Maximum reliability during changeover by

- patented changeover system with mechanical and electrical interlock
- weld-free switching contacts with circuit breaker mechanism
- insensitive to voltage fluctuations or vibrations, for example, by stable switching position and permanent contact pressure
- Monitoring for short-circuits

User-friendly

Easy operability and perfect overview
by clear menu structure and user guidance

Correct information at the right time
by clear messages via an illuminated graphic display and via bus

Safe manual changeover during service
by integrated manual/automatic mode with mechanical restart interlock

Complete documentation of the following events

- Changeover procedures
- Testing
- Parameter changes

External functional test or replacement without service interruption
by optional bypass-switch

Compact

Compact design
of electronic system and switching elements in one enclosure

Changeover, IT system monitoring and locating current injector
in one unit

Simple wirings
by integrated design

Completely pluggable

Efficient

Small space required

Tests according to the regulations without interruption of power supply

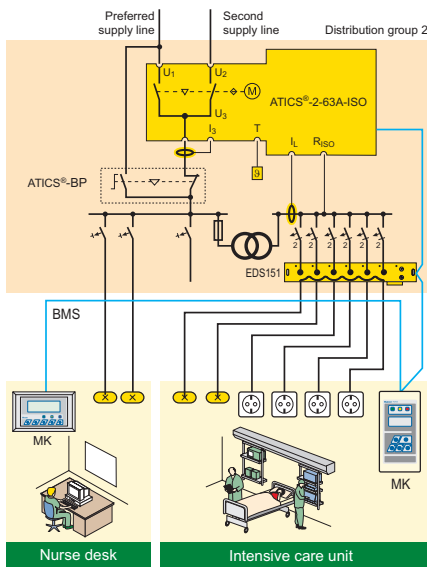
Can easily be integrated in existing systems

ATICS® ...guarantees high availability in earthed and unearthed power supplies

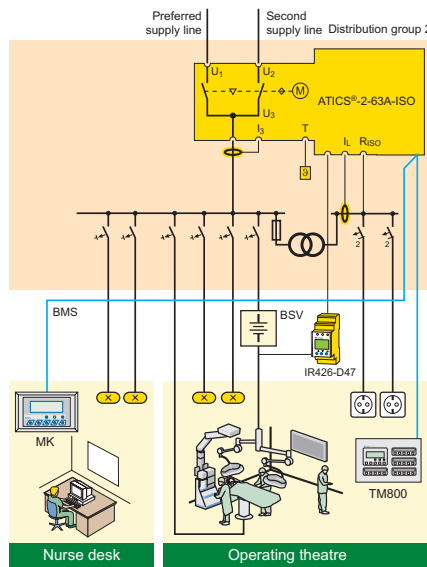
... perfect for power supply in safety-relevant environments like for example

- Group 2 medical locations according to IEC 60364-7-710 and DIN VDE 0100-710:2002-11
- Emergency power supplies
- Heating, air conditioning, ventilation, cooling
- EDP, computer centres
- Fire extinguishing and sprinkler systems

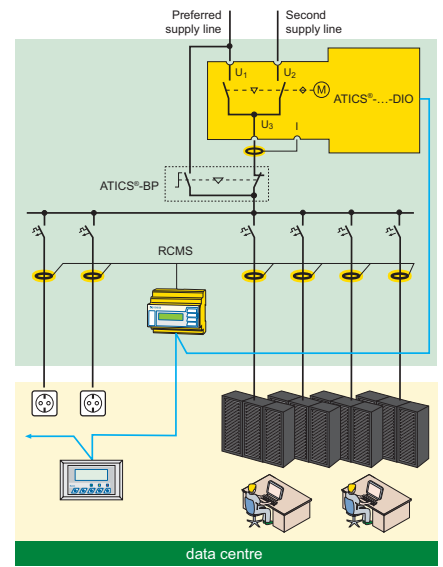
Application examples



Changeover for intensive care units with integrated insulation fault location system (EDS) and bypass-switch



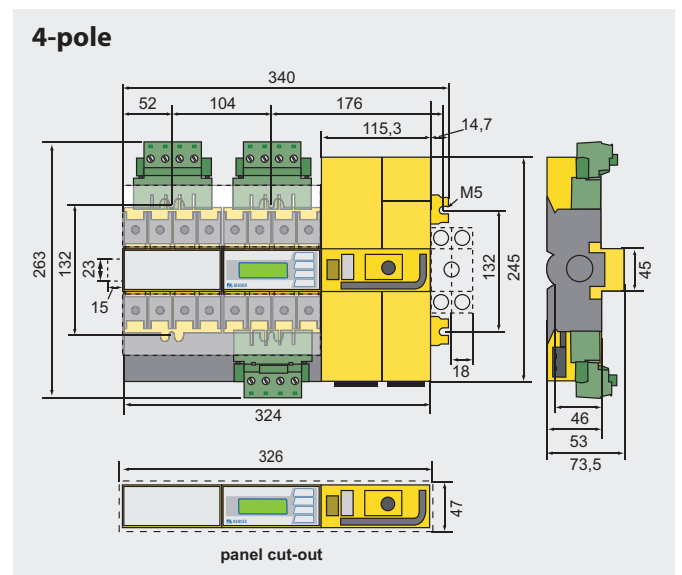
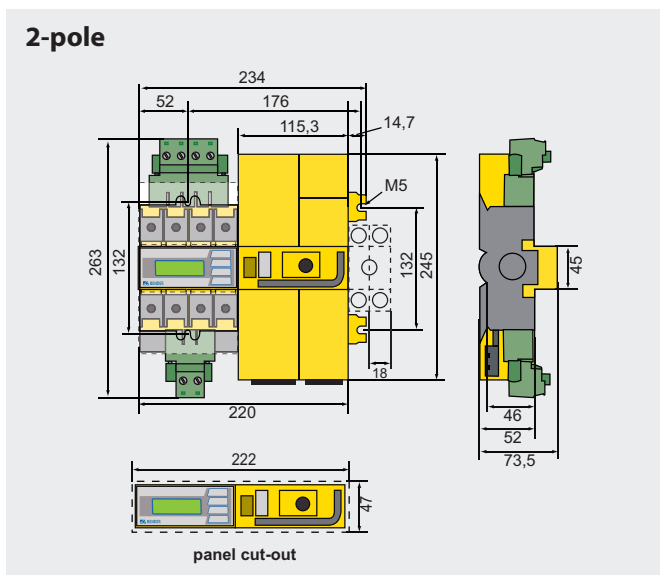
Changeover for operating theatres with operating theatre lights ISOMETER®



Changeover for safety-relevant environments with additional RCMS residual current monitoring system

Dimension diagram

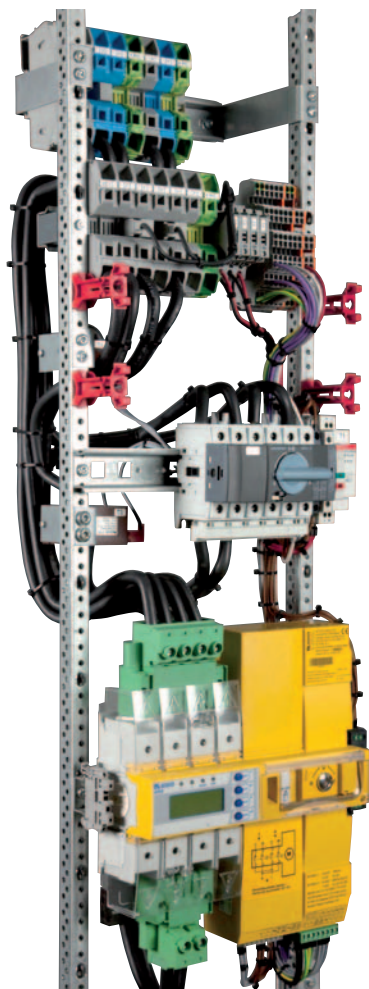
Dimensions in mm



Type overview

Ordering information				
Type	Designation	Rated operational current I_e	Scope of delivery	Art. No.
ATICS-2-63A-ISO	2-pole switching and monitoring device	AC 63 A	1 x STW2, 1 x STW3, bridge, terminal cover, auxiliary contacts	B 9205 7202
ATICS-2-80A-ISO		AC 80 A	1 x STW2, 1 x STW3, bridge, terminal cover, auxiliary contacts	B 9205 7203
ATICS-2-63A-DIO	2-pole switching device	AC 63 A	1 x STW3, bridge, connectors, terminal cover	B 9205 7212
ATICS-2-80A-DIO		AC 80 A	1 x STW3, bridge, connectors, terminal cover	B 9205 7213
ATICS-4-80A-DIO	4-pole switching device	AC 80 A	3 x STW3, bridge, connectors, terminal cover	B 9205 7222
ATICS-4-125A-DIO		AC 125 A	3 x STW4, bridge, connectors, terminal cover	B 9205 7223
ATICS-4-160A-DIO		AC 160 A	3 x STW4, bridge, terminal cover	B 9205 7224
ATICS-BP-3-63A-SET		Bypass switch set	AC 63 A	Bridge, terminal cover, auxiliary contacts, LEDs green/red
ATICS-BP-3-80A-SET	AC 80 A		Bridge, terminal cover, auxiliary contacts, LEDs green/red	B 9205 7253
EDS151	Insulation fault locator		Compact device with integrated measuring current transformers	B 9108 0101

Example construction



Bender GmbH & Co. KG

P.O. Box 1161 • 35301 Grünberg • Germany
 Londorfer Strasse 65 • 35305 Grünberg • Germany
 Tel.: +49 6401 807-0 • Fax: +49 6401 807-259
 E-mail: info@bender-de.com • www.bender-de.com